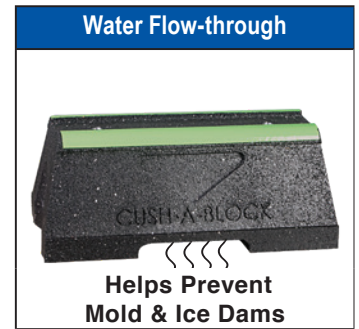


CUSH-A-BLOCK®

75% FASTER STRUT INSTALL AND CHANGE-OUT



Green Product - Not Just Because of its Color



- 100% Recycled Rubber Qualifies for LEED Credits
- Meets the Buy America Act and ARRA
- Resistant to Freeze and Thaw

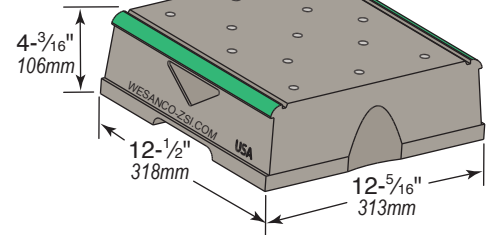
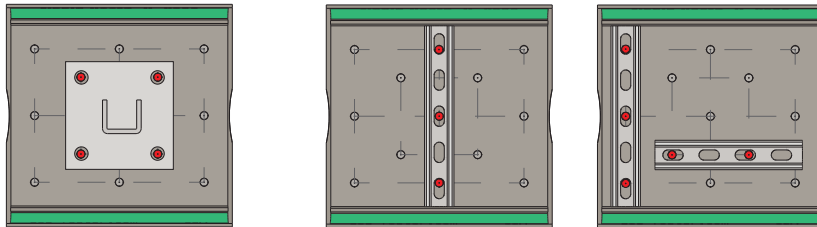
- Dampens Vibrations
- Compatible with Most Rooftop Materials
- Eco-Green Reflective Safety Strip Won't Peel

Cush-a-Block Biggie - CBB Series

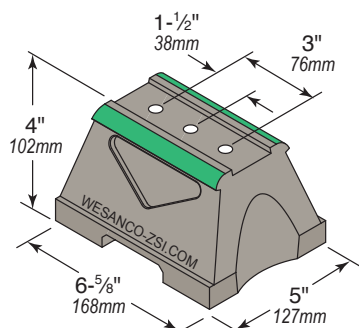
| Part No. | Uniform Load |
|----------|----------------------|
| CBB | 7,500 lbs (33.36 kN) |



Spacing of embedded fasteners allow direct attachment of strut fittings and channel to the Biggie Block

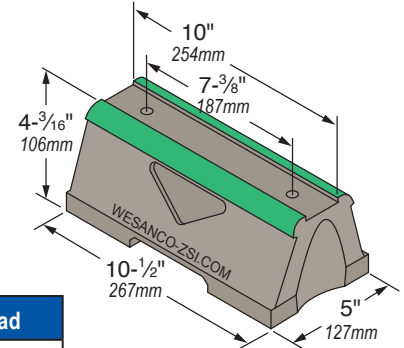
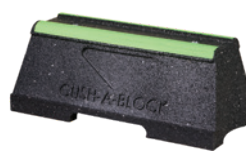


Cush-a-Block Mini CBM Series



| Part No. | Uniform Load |
|----------|------------------|
| CBM | 400lbs (1.78 kN) |

Cush-a-Block CBN Series

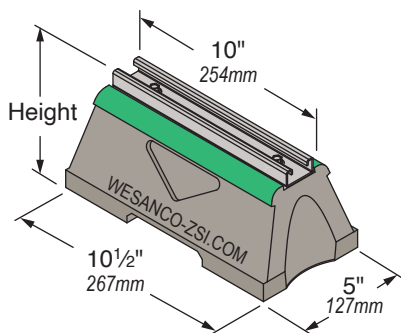


| Part No. | Uniform Load |
|----------|----------------------|
| CBN | 2,500 lbs (11.12 kN) |

Rooftop Support System

CUSH-A-BLOCK - CBN SERIES

SUPPORT WITH METAL CHANNEL



The CBN Series provides a longer mounting surface. Custom lengths are available upon request

| Part No. | No. of Bases | Height | Strut Length | Total Length | Uniform Load Lbs (kN)* |
|--|--------------|------------------|--------------|-----------------|------------------------|
| CBN-Support With 1 3/16" (21mm) Pre-Galv. or Hot Dip Galv. Steel Channel | | | | | |
| CBN1S | 1 | 4-13/16" (122mm) | 10" (254mm) | 10-1/2" (267mm) | 2,500 * (11.12 kN) |
| CBN2S | 2 | | 22" (559mm) | 22-1/2" (572mm) | 5,000 * (22.24 kN) |
| CBN3S | 3 | | 34" (864mm) | 34-1/2" (876mm) | 7,500 * (33.36 kN) |
| CBN4S | 4 | | 46" (1.17m) | 46-1/2" (1.18m) | 10,000 * (44.48 kN) |
| CBN-Support With 1-5/8" (41mm) Pre-Galv. or Hot Dip Galv. Steel Channel | | | | | |
| CBN1D | 1 | 5-5/8" (143mm) | 10" (254mm) | 10-1/2" (267mm) | 2,500 * (11.12 kN) |
| CBN2D | 2 | | 22" (559mm) | 22-1/2" (572mm) | 5,000 * (22.24 kN) |
| CBN3D | 3 | | 34" (864mm) | 34-1/2" (876mm) | 7,500 * (33.36 kN) |
| CBN4D | 4 | | 46" (1.17m) | 46-1/2" (1.18m) | 10,000 * (44.48 kN) |
| CBN Support With 2-7/16" (62mm) Pre-Galv. or Hot Dip Galv. Steel Channel | | | | | |
| CBN1RD | 1 | 6-7/16" (164mm) | 10" (254mm) | 10-1/2" (267mm) | 2,500 * (11.12 kN) |
| CBN2RD | 2 | | 22" (559mm) | 22-1/2" (572mm) | 5,000 * (22.24 kN) |
| CBN3RD | 3 | | 34" (864mm) | 34-1/2" (876mm) | 7,500 * (33.36 kN) |
| CBN4RD | 4 | | 46" (1.17m) | 46-1/2" (1.18m) | 10,000 * (44.48 kN) |
| * This load is only for the capacity of the components in this assembly. Please consult roofing manufacturer or engineer for roof load capacity. | | | | | |

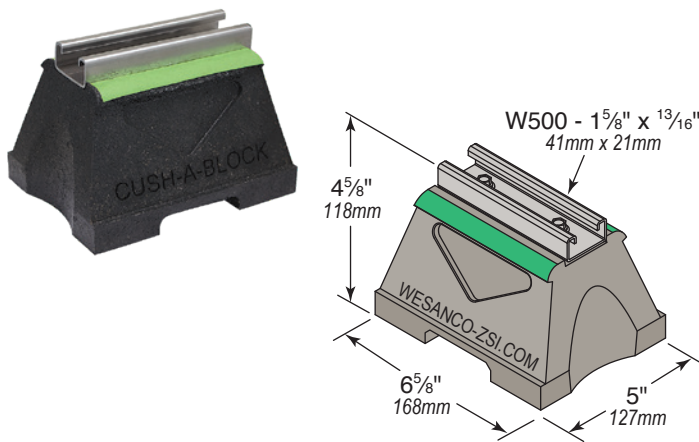
CUSH-A-BLOCK MINI WITH RAISED STRUT

Support with Raised 1-5/8" Pre-Galv. or Hot Dip Galv. Metal Channel



CUSH-A-BLOCK MINI - CBM SERIES

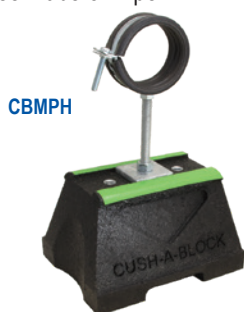
SUPPORT WITH METAL CHANNEL



CUSH-A-BLOCK MINI WITH RAISED CUSH-A-RING

Support with Raised SPH Cush-A-Ring Clamp for Copper Tube or Steel Tube or Pipe

Support With Raised SPP Cush-A-Ring Clamp for PEX, CPVC, or PVC Pipe



| Part No. | Uniform Load Capacity (Lbs) * |
|--|-------------------------------|
| CBM-Support With 1 3/16" Pre-Galv. or Hot Dip Galv. Steel Channel | |
| CBM1S | 400 (11.78 kN) |
| CBM-Support With 1-5/8" Pre-Galv. or Hot Dip Galv. Steel Channel | |
| CBM1D | 400 (11.78 kN) |
| * This load is only for the capacity of the components in this assembly. Please consult roofing manufacturer or engineer for roof load capacity. | |